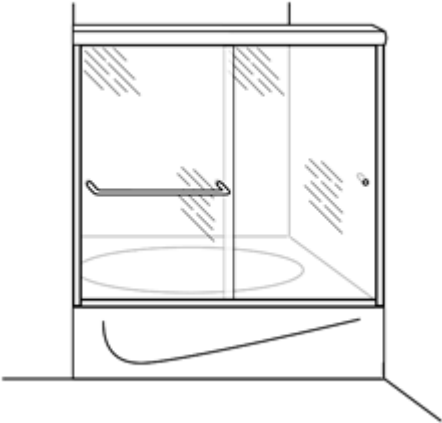
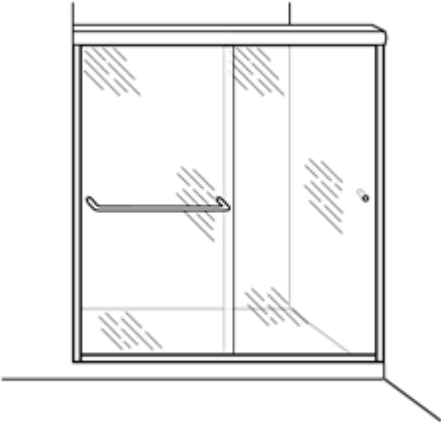


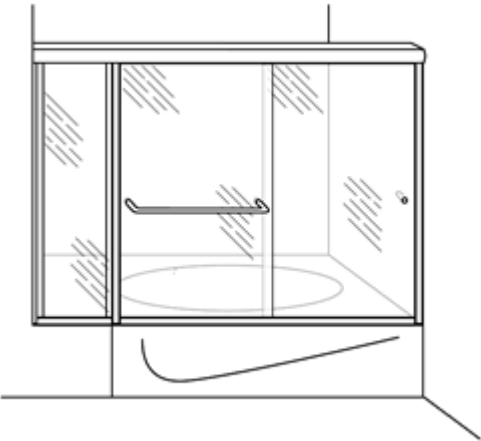
The Euro Series comes in five stock configurations and can be customized to nearly any configuration.



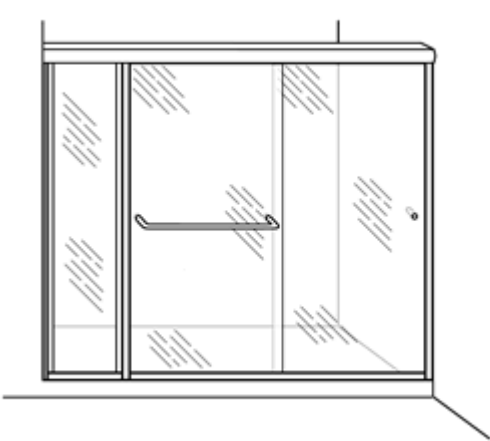
Tub Enclosure



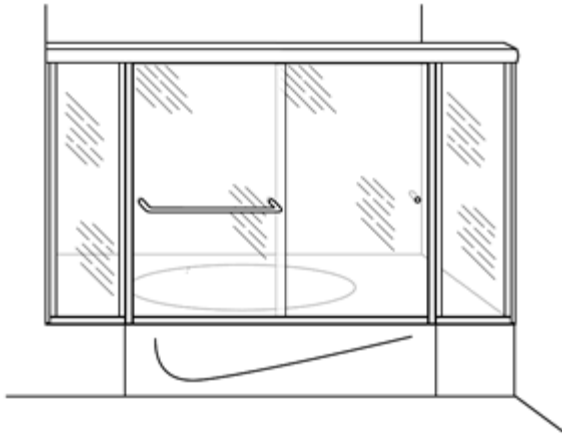
Shower Enclosure



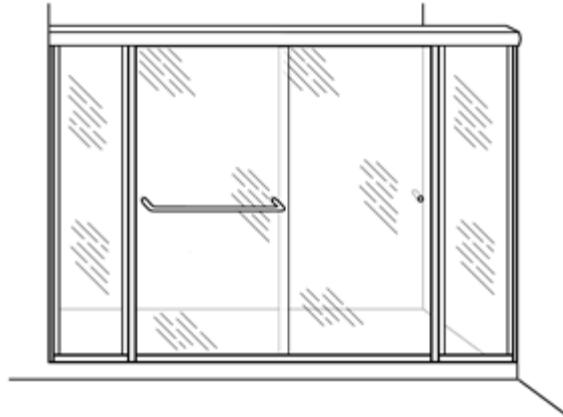
Tub Enclosure with Inline Panel



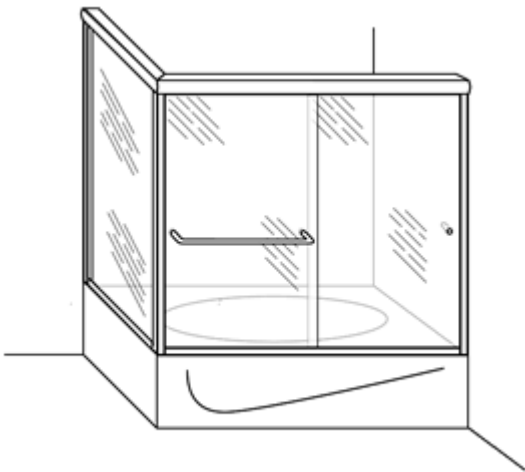
Shower Enclosure with Inline Panel



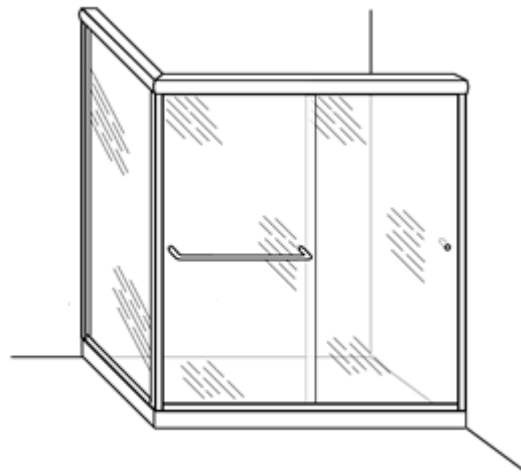
Tub Enclosure with Two Inline Panels



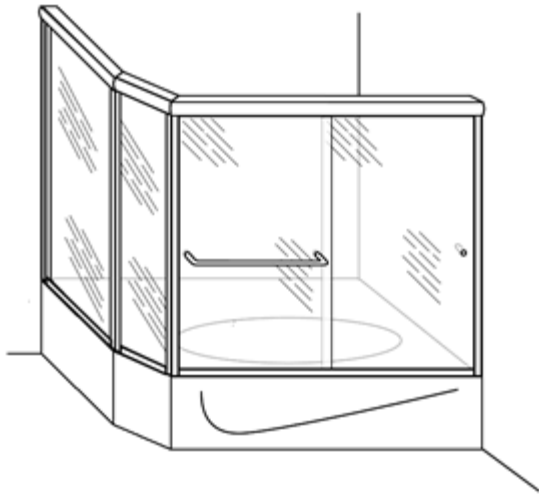
Shower Enclosure with Two Inline Panels



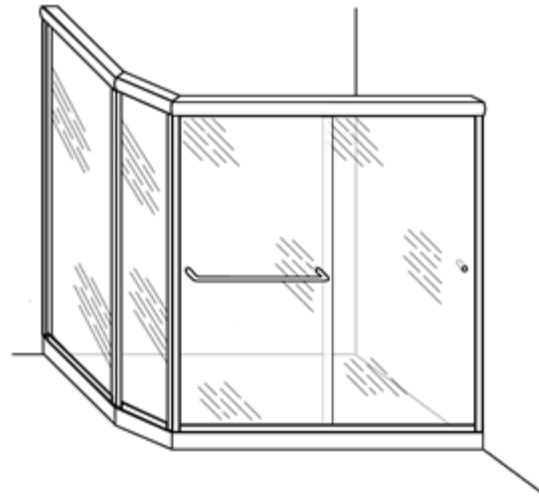
Tub Enclosure with Return Panel



Shower Enclosure with Return Panel



Tub Enclosure with Neo Angle Panels



Shower Enclosure with Neo Angle Panels